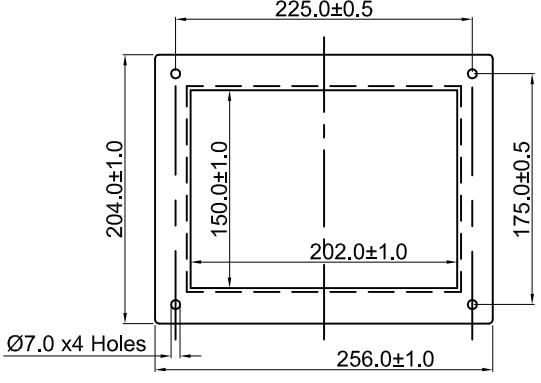
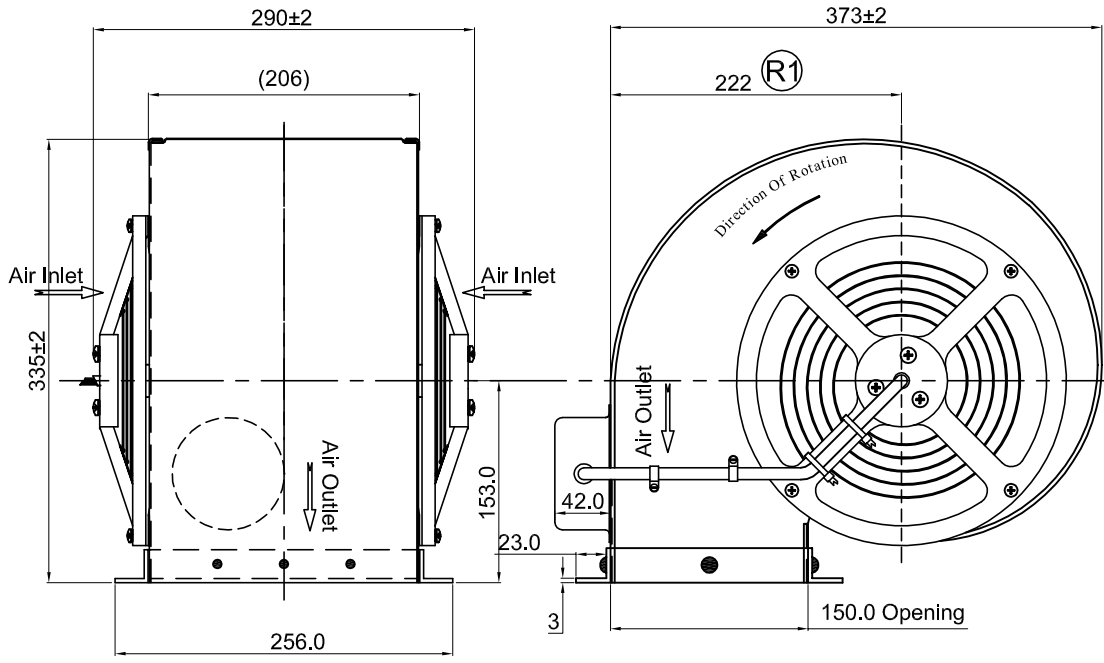


THE INFORMATION CONTAINED IN THIS DOCUMENT IS THE PROPERTY OF DMS AND IT SHALL NOT BE USED, REPRODUCED OR DISCLOSED TO OTHERS IN WHOLE OR IN PART WITHOUT THE EXPRESS PERMISSION OF DMS
ANY MANUAL ALTERATION WITHOUT AUTHORISED SIGNATURE SHALL AUTOMATICALLY RENDER THIS DRAWING INVALID

ISSUE	DESCRIPTION	DATE	Sig
R1	Casing Centre 222 was 221 (Error Corrected)	08-05-06	A.S

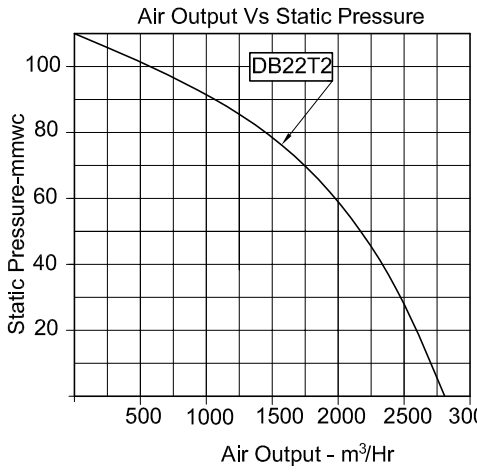


All Dimensions In mm



Technical Data

Model	Supply	Full Open Air Output m ³ /Hr	Shut Off Static Pressure mm wc	Input Power Max. W ±10%	Current A ±10%	Speed RPM -2%	Inlet Air Temp. Max. °C	Weight Kg	Noise Level db A
DB22T2	415V,3PH 50Hz	2800	110	1800	2.80	2550	60	19.0	87



Maximum Vibration Limit: Velocity-1.4 mm/sec RMS (4 mm/sec-Pk-Pk)

List Of Routine Tests Conducted:

1. Measurement Of Winding Resistance of Motor
 2. Measurement of parameters like Power, Current, speed, vibration at Rated Supply, With Free inlet
 3. High Voltage test for 10 Sec
 - 3a. For 240V: 1.5KV RMS
 - 3b For 415V: 2.0 KV RMS
 4. Insulation Resistance with 500V DC Megger
Minimum Insulation Resistance Shall be 5 Meg Ohm
- Note: Air Output And Pressure data are provided for reference only.

Due to continuous development, the above data are subject to change with out prior notice.

DIM IN () IS FOR REFERENCE ONLY		DEVIATION ON UNTOLERANCED DIMENSION ARE TO BE AS PER IS:2101-MEDIUM CLASS	
ALL DIMENSIONS ARE IN MM		FILE NAME : Specification DB22T2.dwg	SCALE - NTS
DESIGNED BY	CHECKED BY	APPROVED BY	DATE:
	A.S	A.S	
		ISSUED DATE	FIRST ANGLE PROJ
Dynamic Motors (India) Pvt. Ltd. CHENNAI - 600 058, INDIA www.dynamicmotorsindia.com research@dynamicmotorsindia.com		SPECIFICATION DB22T2	
		DRG NO - DB22-101	REVISION R1
		SHEET 1 of 1	