

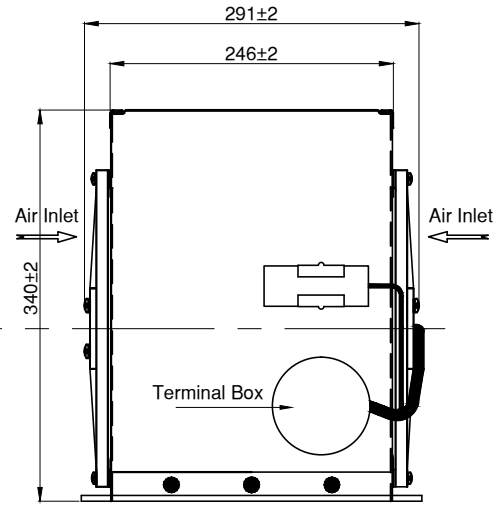
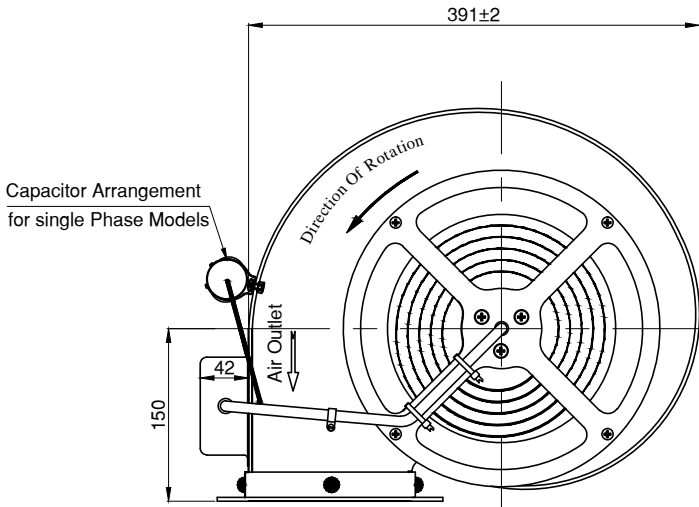
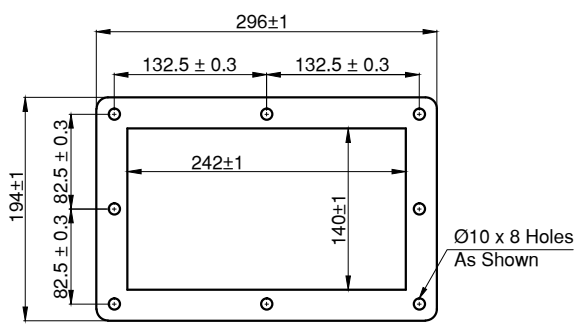
THE INFORMATION CONTAINED IN THIS DOCUMENT IS THE PROPERTY OF DMIPL AND IT SHALL NOT BE USED, REPRODUCED OR DISCLOSED TO OTHERS IN WHOLE OR IN PART WITHOUT THE EXPRESS PERMISSION OF DMIPL
 ANY MANUAL ALTERATION WITHOUT AUTHORISED SIGNATURE SHALL AUTOMATICALLY RENDER THIS DRAWING INVALID

DEVIATION ON UNTOLERANCED DIMENSIONS IS:2102									
DIMENSION	OVER	0.5	3	6	30	120	400	1000	2000
	UP TO & INCL.	3	6	30	120	400	1000	2000	4000
MACHINE TOLERANCE		±0.1	±0.1	±0.2	±0.3	±0.5	±0.8	±1.2	±2
FABRICATION TOLERANCE		±0.2	±0.3	±0.5	±0.8	±1.2	±2	±3	±4

SURFACE FINISH SYMBOLS				
ROUGHNESS SYMBOL	CYL. GRINDING	SUR. GRINDING	MACHINING	ROUGH MACHINING
ROUGHNESS VALUES Ra μm	0.8	0.8	3.2, 6.3	25

ISSUE	DESCRIPTION	DATE	SIG
R1	DB22T4 Model withdrawn.	11.09.2020	SSK

All Dimensions are in mm

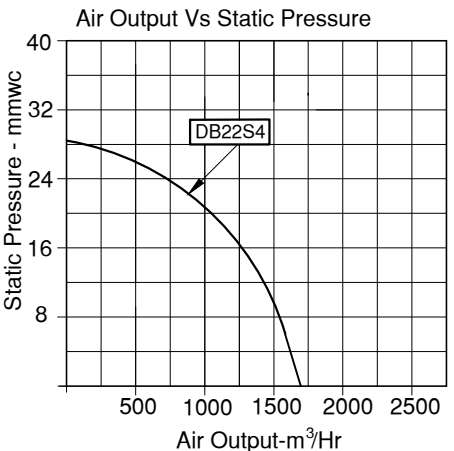


Performance Data for DB22S4

Model	Supply	Full open Air Vol m ³ /Hr	Shut Off Pressure mmwc	Max power Input W att ±10%	Current A ±10%	Speed RPM ±5%	capacitor Value mfd	Max Inlet Air Temp °C	weight Kg	Noise level dbA
DB22S4	240V, 1Ø, 50Hz	1700	30	400	2	1340	12	60	14.5	72

Recommended Supply Voltage Control for Single Phase Blowers only: 160V to 240V

Maximum Vibration Limit: Velocity-2.8 mm/sec RMS(8 mm/sec-Pk-Pk) as per ISO 14694-2003-GradeB V3 Table-4.



- List Of Routine Tests Conducted:**
1. Measurement Of Winding Resistance of Motor
 2. Measurement of parameters like Power, Current, Speed and Vibration at Rated Supply With Free Inlet And Outlet.
 3. High Voltage test for 10 Sec
For 240V: 1.5KV RMS
 4. Insulation Resistance with 500V DC Megger Minimum Insulation Resistance Shall be 5 Meg Ohm.

Note:
 Air Output And Pressure data are provided for reference only. Due to continuous development, the above data are subject to change with out prior notice.
 Air output - Conversion to cfm: multiply "m³ /hr" by 0.59
 Static Pressure - Conversion to pascal : multiply "mmwc" by 9.81

Note : Insulation Shall be Class F

Superseded Drg No:DB22-102

SURFACE PROTECTION DETAILS		DIM IN () IS FOR REFERENCE ONLY		DEVIATION ON UNTOLERANCED DIMENSION ARE TO BE AS PER IS:2101-MEDIUM CLASS			
TYPE OF PROCESS		ALL DIMENSIONS ARE IN MM	FILE NAME :	Specification DB 22S4.dwg	SCALE - NTS	FIRST ANGLE PROJ	
SPECIFICATION		DESIGNED BY	CHECKED BY	APPROVED BY	DATE:	ISSUED DATE	
COATING AREA			S.S.K	S.S.K		2.11.2016	
FINISH		Dynamic Motors (India) Pvt. Ltd.			SPECIFICATION DB 22S4		
PATTERN		CHENNAI - 600 058, INDIA			DRG NO - DB22-109		
DRY FILM THICKNESS		www.dynamicmotorsindia.com			REVISION R1		
		research@dynamicmotorsindia.com			SHEET 1 of 1		